



2625023-000-440
CARTRIDGE TD ULTRA-WEB FR OD 324
MM X L 660 MM

Attributes

Outer Diameter	324 mm (12.76 inch)
Length	660 mm (25.98 inch)
Media Type	Ultra-Web
Filter Area	20.8 m ² (223.89 ft ²)
Inner Diameter	213 mm (8.39 inch)
Temperature Limit	65 °C (149 F)
Liner	Yes
End Cap Construction	Open/Closed with Bolt Hole
Construction	Galvanized
Shape	Round
Pleat Height	51 mm (2.01 inch)
Pleat Count	323

Anti-Static	No
Flame Retardant	Yes
Food Compliant	No
Current Brand	Donaldson Torit


Packaged Dimensions

Gross Length	0.36 M
Gross Width	0.36 M
Gross Height	0.74M
Gross Weight	5.59 KG
Gross Volume	0.0959 M3

Other Information

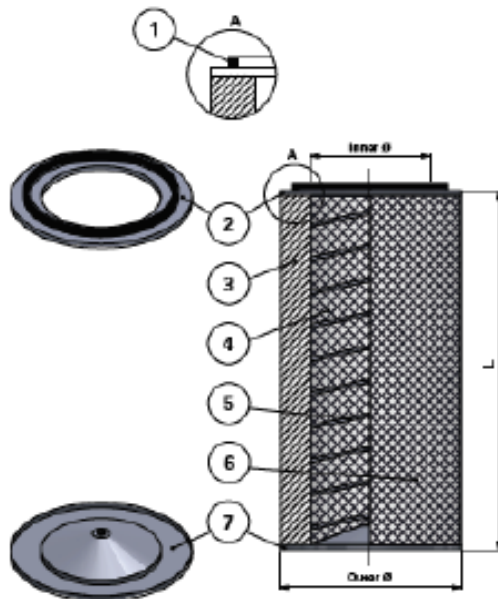
Country of Origin	United Kingdom
HTS Code	8421392590

The information contained herein is general in nature and may not reflect actual information regarding the part at time of shipment. Parts may originate in more than one country – the actual country of origin and HS Code will be reflected on the Commercial Invoice(s) that accompanies the goods.



Ultra-Web[®] Flame Retardant

Appearance	Blue tinted, corrugated
Use	Pleatable filter media
Composition	Cellulose substrate with nanofiber layer
Area weight	115 g/m ²
Thickness	0.30 mm
Air Permeability	367 m ³ /m ² .h at 125 Pa
IFA/BIA certificate (DIN 660335-2-03)	Class M Test report number: 2017 20064/0210
Temperature (dry heat)	
Continuous	65 °C
Peaks	80 °C
Chemical resistance	
Hydrolysis	N/A
Acids	Poor
Alkalis	Fair
Oxidising agents	Poor
Organic solvents	Fair
Abrasion resistance	Good
Supports combustion	No
Application field	Premium performance on ambient, extremely fine and non-fibrous dust and some abrasive dust. High filtration efficiency on very fine particulate of < 1 micron. Typical applications include metallisation, laser cutting, pharmaceuticals, weld fume, shot blasting.



TD Style – Open Closed with Hole

TD-style Cartridge Filter

TD-style Cartridge Filter for ECB, TD and other brands of cartridge collectors

Available with and without outer liner

Item	Description
1	Gasket
2	Top end cap
3	Media pack
4	Inner liner
5	Inner boading
6	Outer liner
7	Bottom end cap with Ø13.5 mm hole

Dimensions [mm]	
Outer Ø	324
Inner Ø	213
L	660