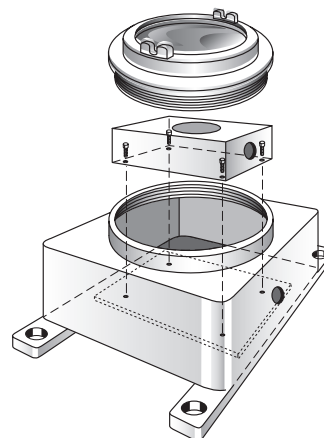


## RIV-601P/FA IR Flame detector explosion-proof model RIV-601P/F model plus ADF-600AP explosion-proof enclosure

The explosion proof model RIV-601P/FA is made by mounting the watertight model RIV-601P/F inside the explosion-proof case.

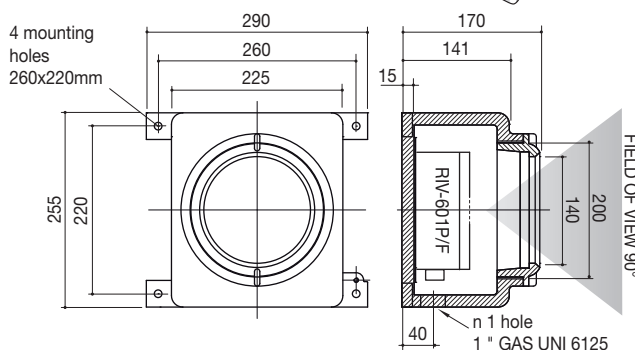
The RIV-601P/FA shipping package includes:

- 1 IR flame detector model RIV-601P/F
- 1 explosion-proof enclosure model ADF-600AP
- 1 set technical information



### ADF-600AP explosion-proof enclosure

- Cast aluminium external grey epoxy paint (RAL 7000), internal anti-condensing orange paint (RAL 2004).
- Type of protection II 2 GD Ex d IIC T6 Ex tb IIIC T85°C IP66 (85°C max case temperature, referred to 40°C ambient).
- Conforms to ATEX Directive, BVI 14 ATEX 0007 certificate.
- Dimensions: mm. 225x255x170h main body only (mounting holes 260x220 - overall dimensions 290x255).
- Weight: kg 10,5 case only - kg 11,5 with detector inside.
- Sensitivity reduced to 4% of the distance.
- 1" Gas cable entry.



## SOA-875

### Variable direction stand for IR explosion-proof Flame Detector RIV-601P/FA

#### Description

The Variable Direction Stand SOA-875 is a useful accessory for installing IR Explosion-Proof Flame Detector RIV-601P/FA when an easy change of direction of the optical field of view towards the area of interest is needed.

It is composed of a steering arm with both horizontal and vertical steering, and of a base plate designed for IR Explosion-Proof Flame Detector RIV-601P/FA mounting.

The Variable Direction Stand and the screw parts are made of stainless steel, and can be used in outdoor applications.

#### Specifications

- Steering range: horizontal 360° vertical  $\pm 90^\circ$
- Dimensions: 270x129x72mm
- Material: AISI 316L polished stainless steel
- Total weight: kg 2,500 net - 2,800 gross

