

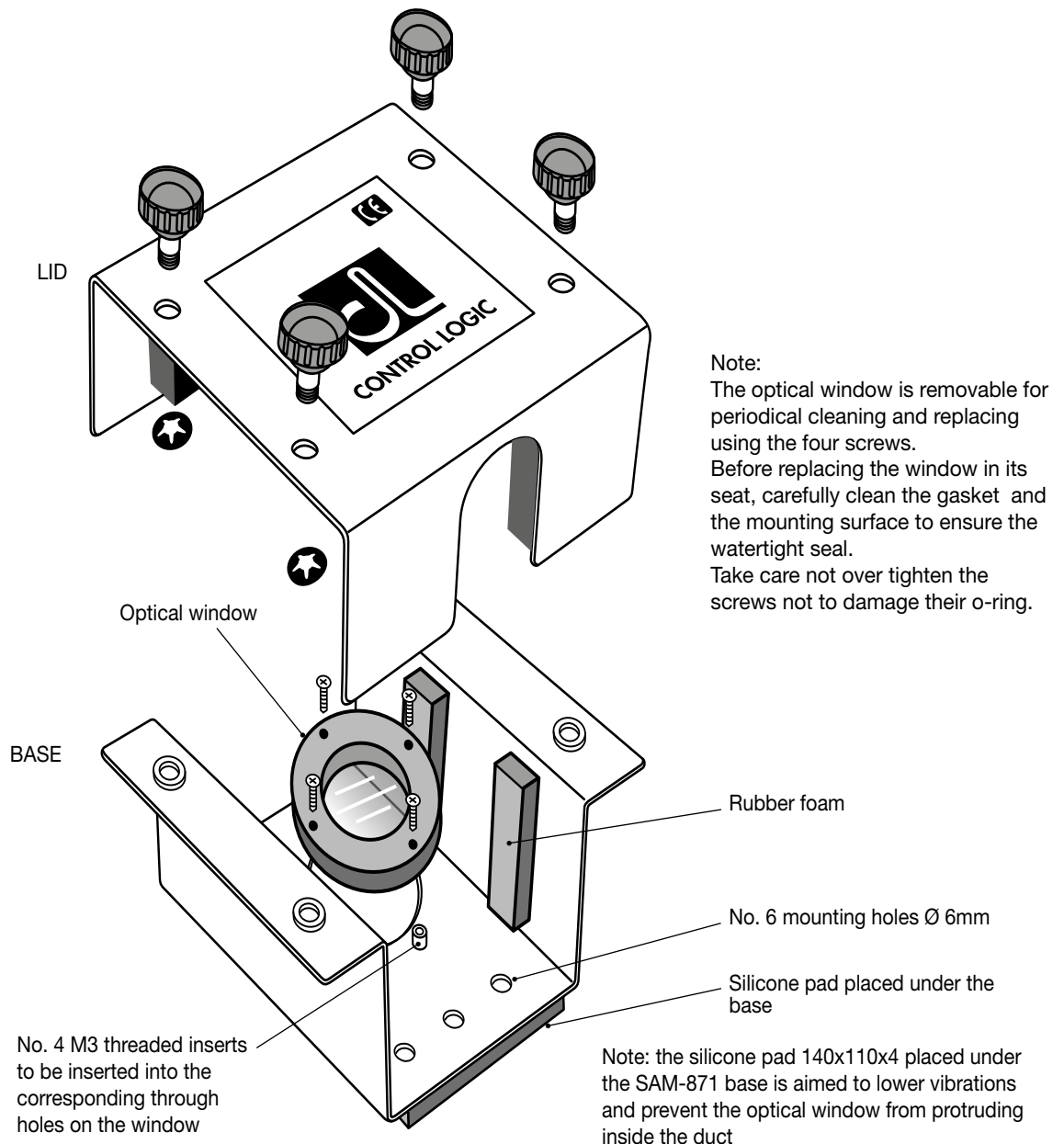
## MOUNTING FRAME SAM-871

### for spark detector RIV-601P/S

#### Specifications

Mounting frame SAM-871 is composed of two parts: the base to be fixed to the ducting by rivets or self-threading screws, the lid that closes the base by four captive knob screws. Aluminum optical window  $\varnothing 80 \times 18 \text{mm}$  with tempered glass window  $\varnothing 40 \times 6 \text{mm}$  and rubber foam ring. Silicone pad under the base.

The detector is placed inside among foam rubber walls. Material: 1mm thick stainless steel, painted yellow. Dimensions 170x165xH115mm (190x185x130mm package). Weight 1100g (1300g with package).

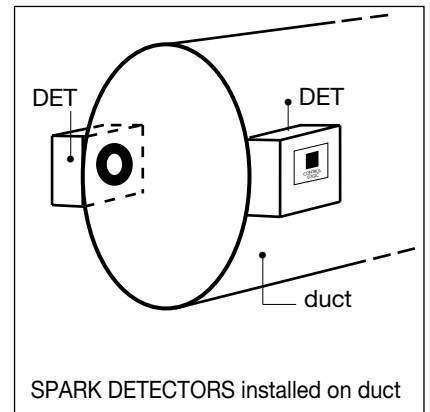
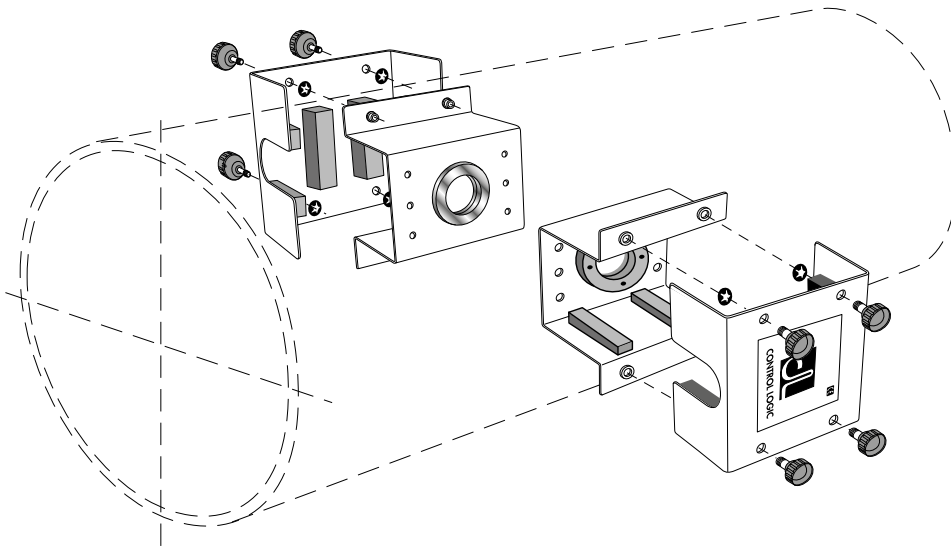


# MOUNTING FRAME SAM-871

for spark detector RIV-601P/S

## duct mounting examples

### Double detector (pair)



### Single detector

