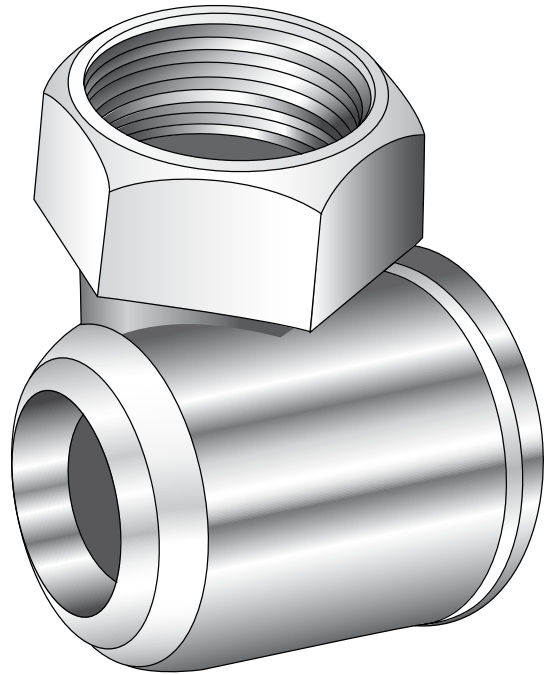


STANDARD SPRAY NOZZLE UGN-820

Specifications

Jam-proof design, vortex type.
120° hollow cone jet. Spray at right-angle from water entry.
Flow rate 13 lt/min (0.2 lt/sec) at 1 bar, 26 lt/min (0,4 lt/sec) at 4 bar.
Coupling 3/4" gas female. Case material brass.
To be mounted at right-angle to spray, on center of ductwork.
Dimensions 39x32x58 mm.
Weight 400 g.



mounting details

