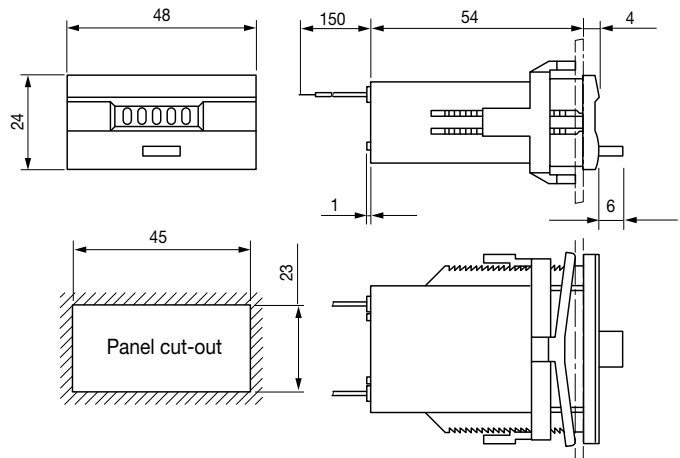
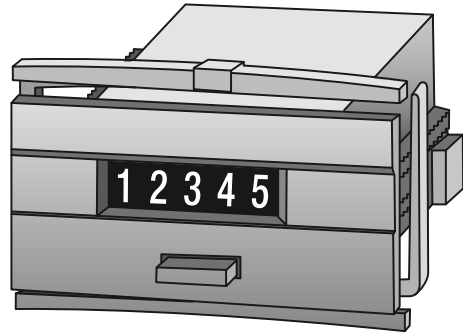


PULSE COUNTER CON-844

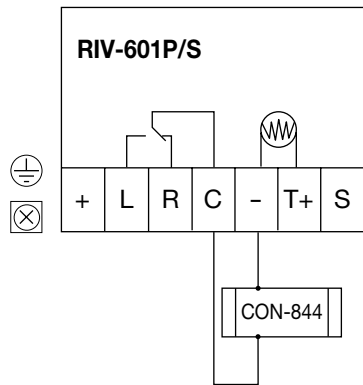
Counts the number of alarms and extinguishing operations.

Specifications

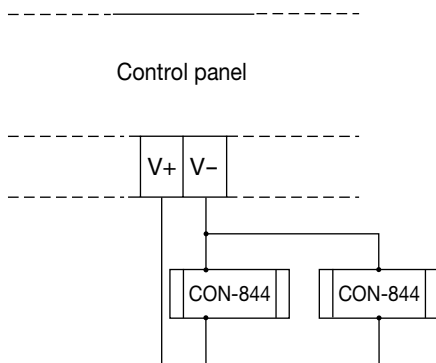
- 5 digits. Manual reset.
- Panel mount with mounting clip.
- Power voltage 24Vdc 0.55W.
- Electrical wiring on free leads.
- Dimensions 48x64xH24 mm.
- Weight 130 g.



ELECTRICAL WIRING



To count all the spark detector alarms



To count all the extinguishing operations